

FOLLOWER ASSEMBLY

INSTALLATION INSTRUCTIONS

Illustration 1

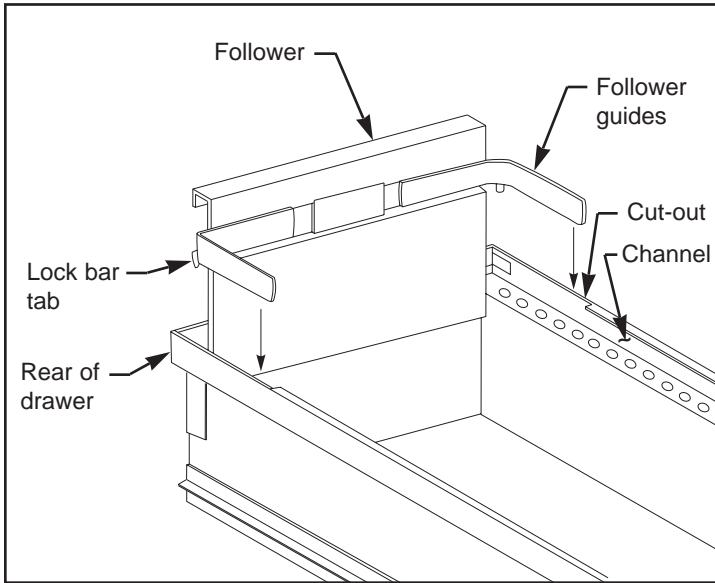
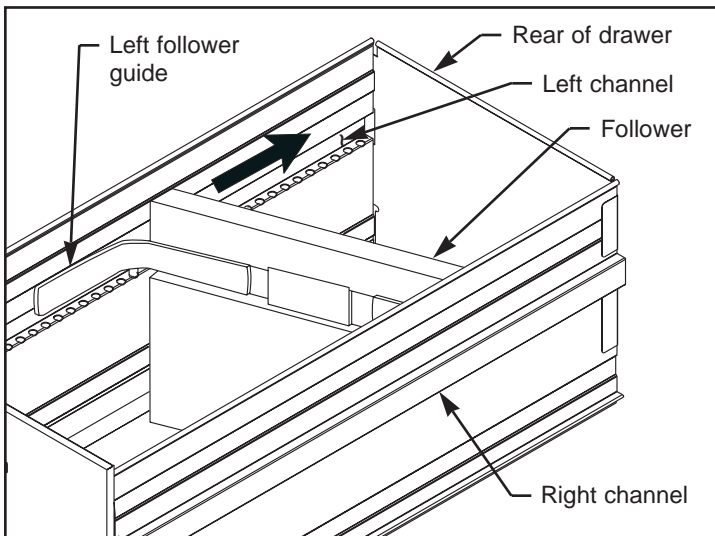


Illustration 2



Read all instructions and review illustrations before installing.

Tools required for assembly:
None

This assembly includes:
(1) Follower assembly

! WARNING

Sharp edges may cause injury. Take care when handling metal parts.

Installation into Low Sided File Drawer (refer to Illustration 1):

1. Completely open drawer.
2. Insert follower guides through cut-outs, at rear of drawer, and into drawer channels.
3. Position lock bar tabs in holes along bottom edge of drawer channels.
4. Locate follower adjustment lever on rear of follower. Lift up on lever and slide follower forward. Release lever to lock follower in place.

Installation into High Sided File Drawer (refer to Illustration 2):

1. Completely open drawer.
2. With left follower guide angled toward front of drawer, insert follower into drawer.
3. Position follower at the center of drawer.
4. Locate follower adjustment lever on rear of follower. Lift up on lever and hold.
5. Insert right follower guide into the right drawer channel and align left follower guide with left drawer channel.
6. Pivot left side of follower rearward until left follower guide seats into right drawer channel.
7. Slide follower, forward or rearward, to desired location and release follower adjustment lever to lock follower in place.