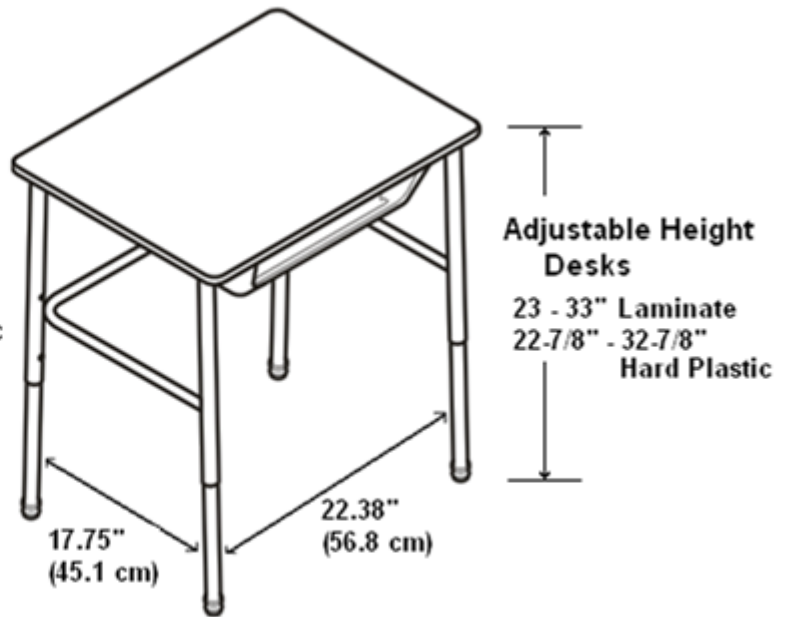


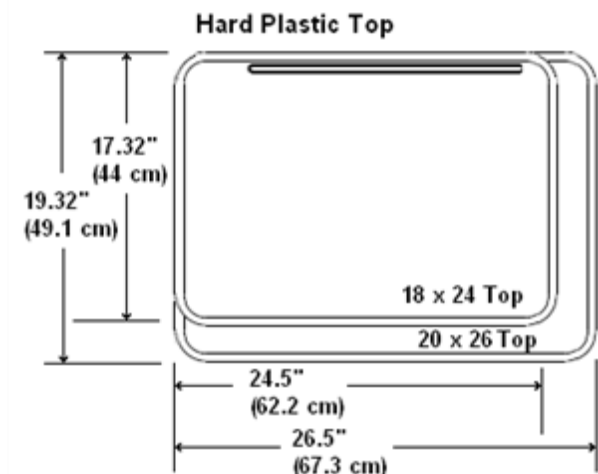
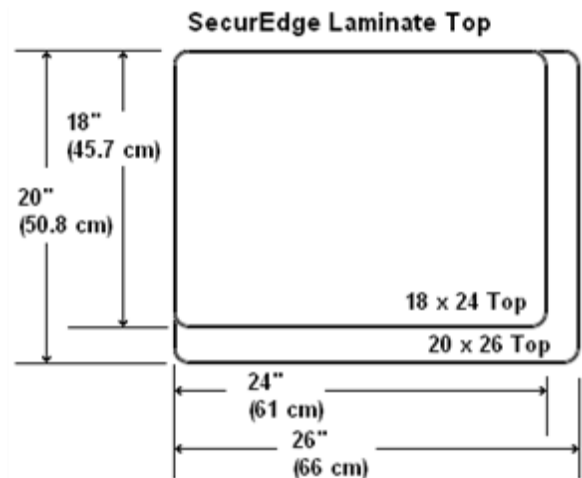
Kneespace - 18 x 24 Desks



Kneespace - 20 x 26 Desks

KEY DIMENSIONS (nominal)

	18x24 Desks	20x26 Desks
SecurEdge Top width:	24"	26"
SecurEdge Top depth:	18"	20"
Hard Plastic Top width:	24.5"	26.5"
Hard Plastic Top depth:	17.32"	19.32"
Kneespace width:	20.38"	22.38"
Kneespace depth:	15.9"	17.75"
Fixed Desks Height:	30"	30"
Adjustable Desks Height:	23 - 33"	23 - 33"



Laminate SecurEdge Work Surface: The laminate top is constructed of 0.75" thick particleboard with kraft backer bottom and high pressure laminate (HPL) top cover. Edges are 0.5" radius with a urethane (SecurEdge) bonded edge. The 20"x26" tops are pre-drilled for installation of the CLA45 or CLA50 book boxes and both sizes are pre-drilled for left or right hand installation of the CLA65 backpack hooks. Load limit on the work surface is tested to 300 lbs.

Hard Plastic Work Surface: The top is constructed of 0.625" thick molded hard plastic, comprised of 75% wood flour which is specially formulated from 100% post industrial recycled wood waste. Edges are 0.5" radius. The 20" x 26" tops are pre-drilled for installation of the CLA45 or CLA50 book boxes and both sizes are pre-drilled for left or right hand installation of the CLA65 backpack hooks. These tops include a molded 17.25" long x 0.54" wide x 0.125" deep pencil groove. Load limit on the work surface is tested to 300 lbs.

Frame Assembly - Adjustable Height Models: Sturdy four-leg assembly is comprised of an upper leg, lower leg, and a U-brace. The upper leg is a 19.5" long, 1.13" diameter 18-gauge steel tubing and finished with powder coat paint. The upper legs are welded to two 15.88" x 2.5" 12-gauge steel mounting plates. Mounting plates are attached to the work surface using five phillips drive screws. The U-brace is 0.75" diameter powder coated 16-gauge steel tubing and is welded to the upper legs. The lower inner leg is a 1" diameter, 14-gauge steel tube with a chrome plated finish and is attached to the upper leg using one ¼"-20 phillips drive screw per leg. Overall nominal height adjustment range is 23" – 33".

Frame Assembly – Fixed Height Models: Sturdy four-leg frame assembly is comprised of four fixed height legs and a U-brace. Fixed leg work surface nominal height is 30.00" The leg is 1.13" diameter 14-gauge steel tubing and finished with powder coat paint. The legs are welded to two 15.88" x 2.5" 12-gauge steel mounting plates. Mounting plates are attached to the work surface using five phillips drive screws. U-brace is 0.75" diameter powder coated 16-gauge steel tubing and is welded to the legs.

Both adjustable and fixed height desk legs include 1" diameter press-fit steel swivel glides with nylon inserts. Felt glide caps are recommended for use on VCT flooring and are available as an accessory for field installation.

Accessories: 20"x 26" size desks may use the HCLA45 or HCLA50 book box as an accessory for field installation, or may be ordered with the HCLA45 book box installed. Other accessories that may be used on all desks include the HCLA65 Back Pack Hook, and the HGDK3-F Felt Glide Cap Kit.

Compliance: The Enable Student Desks meet or exceed applicable ANSI/BIFMA and ISTA performance standards. Student Desks are SCS certified Indoor Advantage Gold conforming to the ANSI/BIFMA furniture emissions standard for open plan and conforms to the Collaborative for High Performance Schools (CHPS) EQ 2.2 and CA Section 01350.

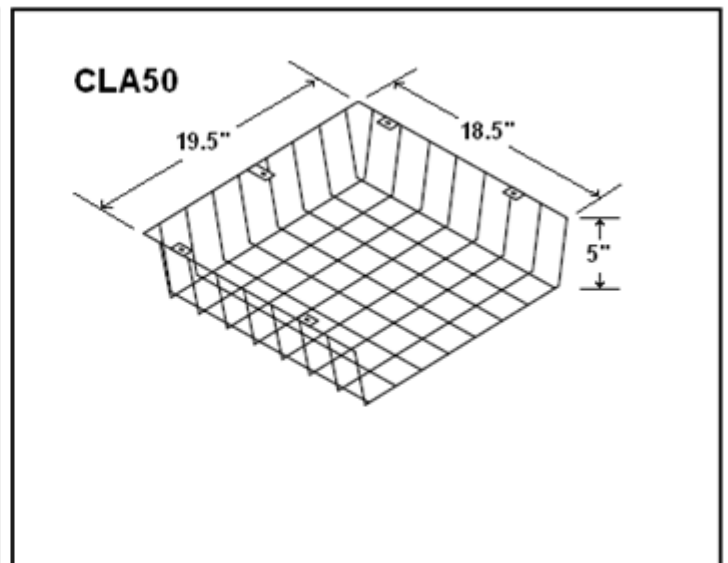
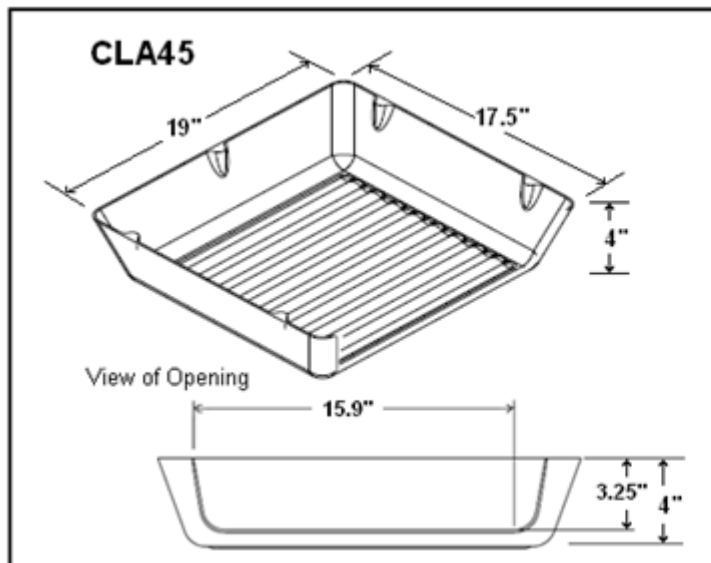
Shipping: Adjustable height desks ship with the upper leg assembly attached to the desk top. The lower adjustable leg ships unattached for field installation.

Fixed height desks ship fully assembled.

All desks ship two (2) per carton.

QUICK REFERENCE TABLE

Item	Inside Dimension	Load Capacity	Storage Capacity	Use with:
HCLA45 (plastic book box)	19"w x 17.5"d x 4"h	30 lbs.	1,330 in ³	20x26 only
HCLA50 (wire book box)	19.5"w x 18.5"d x 5"h	30 lbs.	1,803 in ³	20x26 only
HCLA65 (backpack hook)	N/A	20 lbs.	N/A	All Models
HGDK3-F (felt glide kit)	N/A	N/A	N/A	All Models





Enable™ Student Desk Technical Specifications

QUICK REFERENCE TABLE		Individual Unit	Shipping		
Models:	Description	Weight	Weight	Cubes	
		Carton Dimensions			
HE4A-1824L.N	18x24 Adjustable Laminate Top, no Book Box	26" x 20" x 24.5"	21	46	8.37
HE4A-1824M.N	18x24 Adjustable Hard Plastic Top, no Book Box	26" x 20" x 24.5"	21	46	8.37
HE4F-1824L.N	18x24 Fixed Height Laminate Top, no Book Box	26" x 20" x 32"	19	42	9.63
HE4F-1824M.N	18x24 Fixed Height Hard Plastic Top, no Book Box	26" x 20" x 32"	19	42	9.63
HE4A-2026L.N	20x26 Adjustable Laminate Top, no Book Box	28" x 22.5" x 24.5"	24	52	8.93
HE4A-2026L.B	20x26 Adjustable Laminate Top with Book Box	28" x 22.5" x 24.5"	26	56	8.93
HE4A-2026M.N	20x26 Adjustable Hard Plastic Top, no Book Box	28" x 22.5" x 24.5"	24	52	8.93
HE4A-2026M.B	20x26 Adjustable Hard Plastic Top with Book Box	28" x 22.5" x 24.5"	26	56	8.93
HE4F-2026L.N	20x26 Fixed Height Laminate Top, no Book Box	28" x 22.5" x 32"	21	48	11.67
HE4F-2026L.B	20x26 Fixed Height Laminate Top with Book Box	28" x 22.5" x 32"	23	52	11.67
HE4F-2026M.N	20x26 Fixed Height Hard Plastic Top, no Book Box	28" x 22.5" x 32"	21	48	11.67
HE4F-2026M.B	20x26 Fixed Height Hard Plastic Top with Book Box	28" x 22.5" x 32"	23	52	11.67